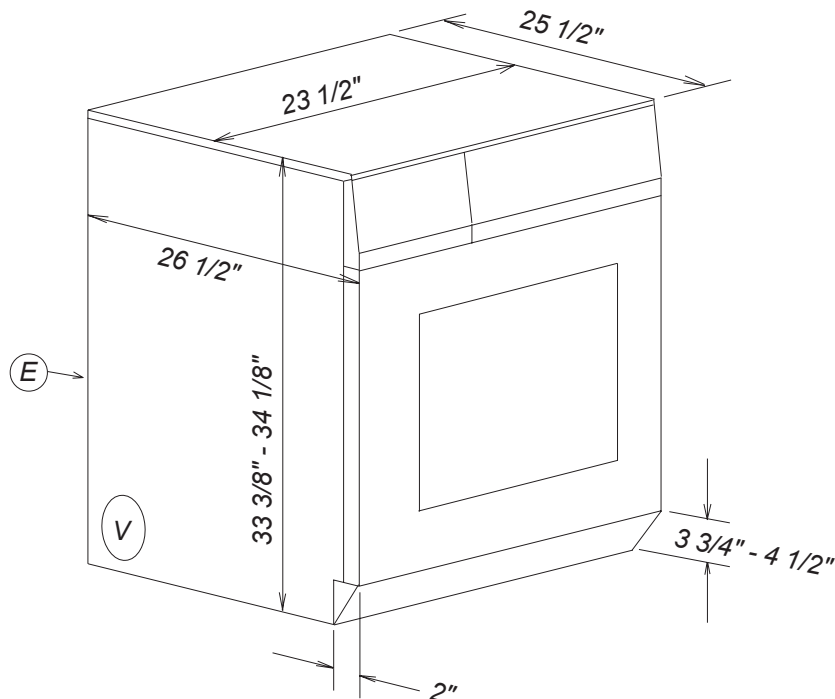


Product Dimensions

Super Capacity Vented Dryer

T1403, T1405 SS



Location Codes
<p>E - 5 foot - 208-240 Volt - 15 Amp 4-wire (2 live / neutral / ground) molded plug power supply connects lower right rear (NEMA 14-30 Configuration).</p> <p>V- Venting location may be adjusted to lower left or right side or lower left rear (see separate sheet).</p>

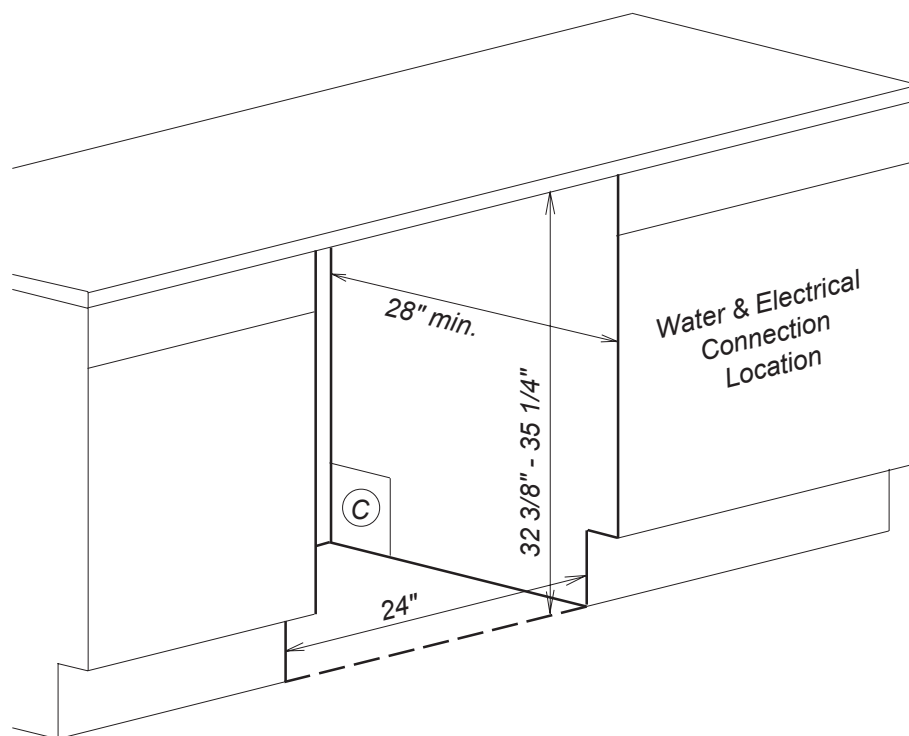
Notes
<ul style="list-style-type: none"> • All installations must be done in accordance with local codes • See "Cut-out Dimensions" sheet for undercounter or built-in space requirements • Optional Easy Installation Kits utilize existing 208-240 Volt - 30 Amp line to connect two Miele machines without rewiring.

NOTE: Drawing is not to scale.
SPECIFICATION SHEETS 010504

Cut-out Dimensions

Built-in Installations

Super Capacity Laundry Products



Location Codes
C - Cutout for Vent and Electric pass-through. Adjust according to vent location.

Notes
• Typically requires removal of unit's lid. Out of box unit height dimension without lid is 32 5/16" - 32 11/16".

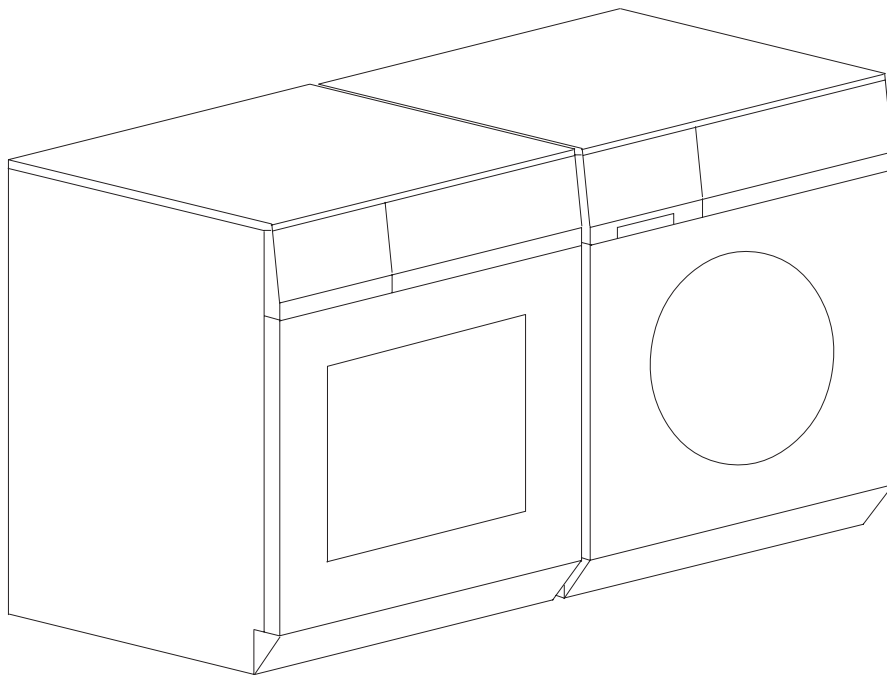
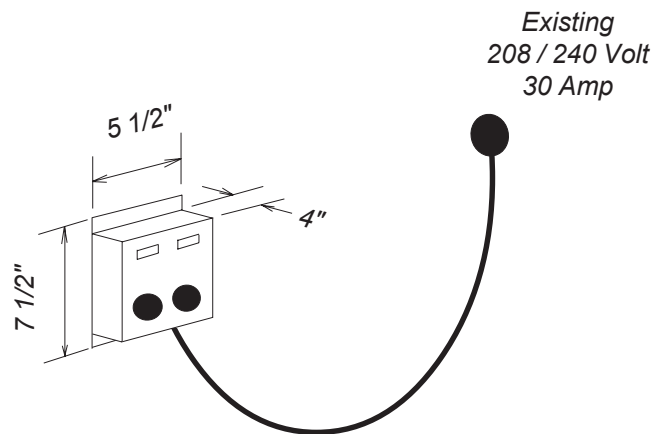
NOTE: Drawing is not to scale.
SPECIFICATION SHEETS 010504

Product Dimensions

Easy Installation Kits

057B / 060B

Miele



Notes

- **Connect Washer and Dryer to Easy Installation Kit**
- **All installations must be done in accordance with local codes**
- **057B Kit fitted with a NEMA10-30 Plug**
- **060B Kit fitted with a NEMA14-30 Plug**

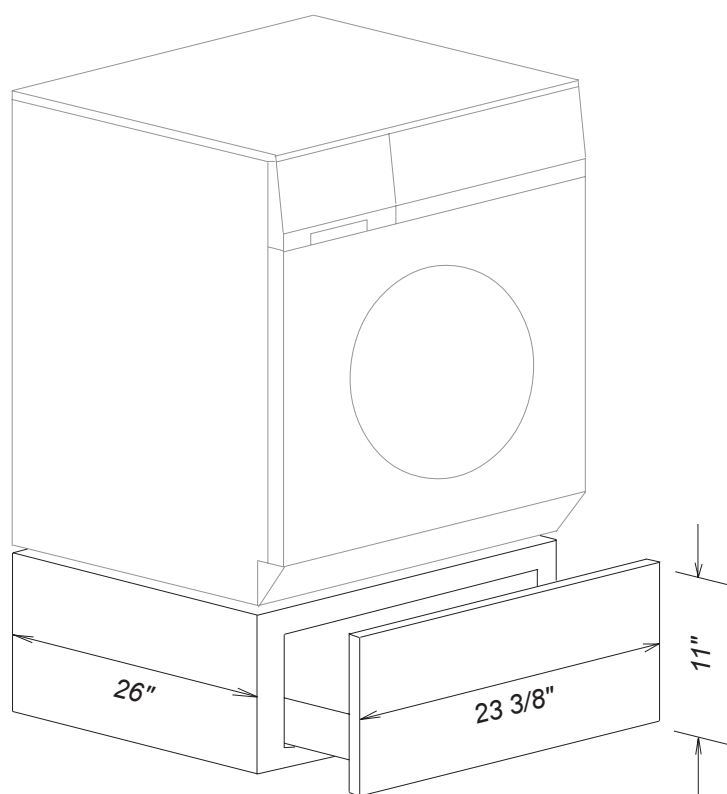
NOTE: Drawing is not to scale.
SPECIFICATION SHEETS 010504

Product Dimensions

Laundry Stand

WTS420 - White Only

Miele



Notes

- *For use with both large and super capacity washers or tumble dryers.*
- *All installations must be done in accordance with local codes*

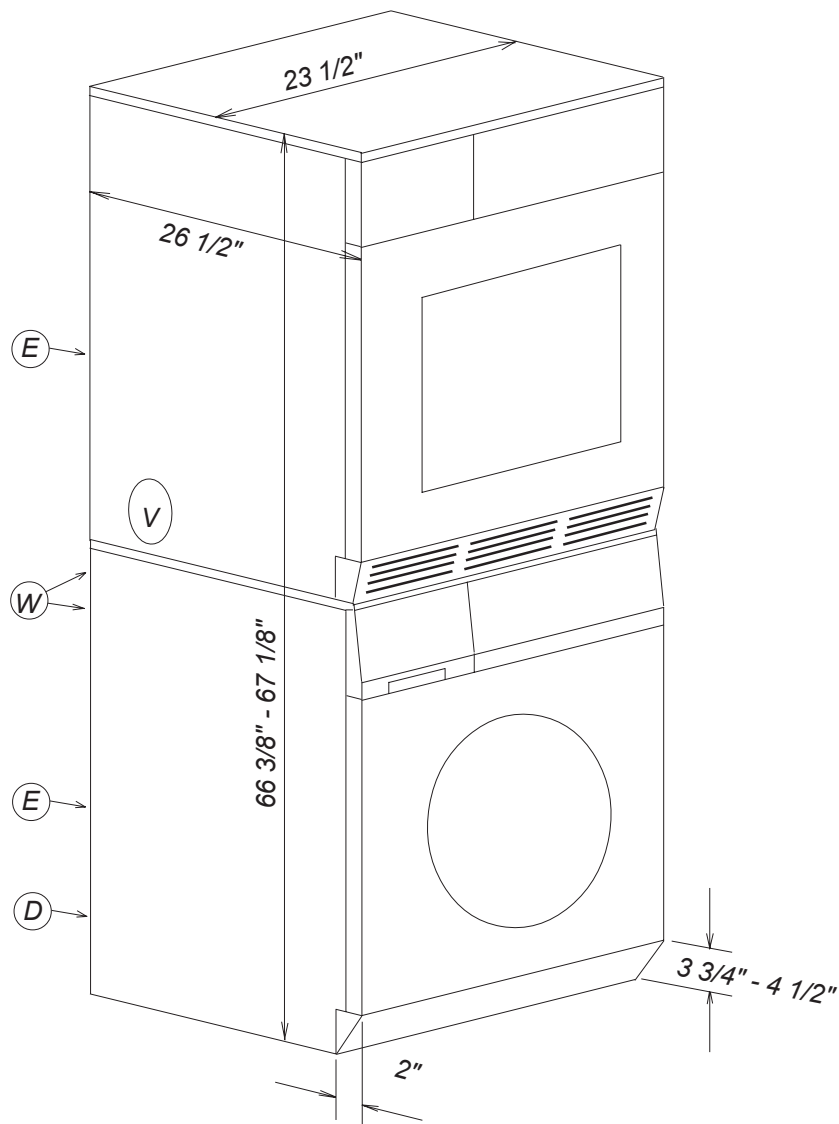
NOTE: Drawing is not to scale.
SPECIFICATION SHEETS 010504

Product Dimensions

Stacked Washer & Dryer

Example Combination

W1213 + T1403



Location Codes

- D - 5 foot flexible drain hose connects lower left rear.
- E - 208-240 Volt - 15 Amp 5 foot 4-wire (2 live / neutral / ground) molded plug power supply connects lower right rear.
- W - 5 foot separate flexible hot and cold water intake hoses connect upper right and left rear.
- V - Venting location may be adjusted to lower left side or lower left rear (see separate sheet).

Notes

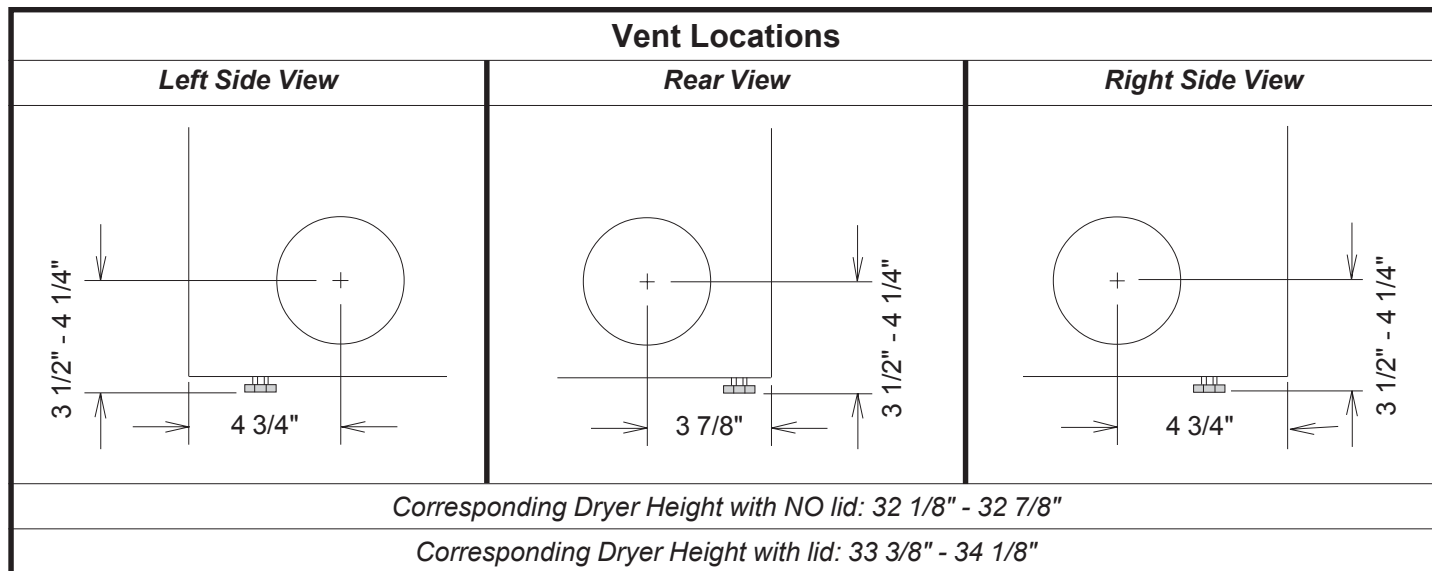
- **All installations must be done in accordance with local codes**
- See "Cut-out Dimensions" sheet for undercounter or built-in space requirements
- Optional Easy Installation Kits utilize existing 208-240 Volt - 30 Amp line to connect two Miele machines without rewiring.
- **Remove transport struts in rear of washing machine before installation.**

NOTE: Drawing is not to scale.
SPECIFICATION SHEETS 010504

Vent Locations

Super Capacity Vented Dryer

T1403, T1405 SS



Vent Duct Calculations			
Maximum Duct Lengths	Type of Bend or duct	Effective Radius	Subtract
4" diameter	Flexible duct 90°	4 - 12 inches	1 3/4 feet
4 3/16" diameter	Flexible duct 90°	12 - 20 inches	1 1/4 feet
4 3/4" diameter	Flexible duct 45°	4 - 20 inches	1 1/4 feet
5" diameter	Smooth duct 90° or 45°	4 - 8 inches	1 1/4 feet
	Elbow 90°	Sharp bend	8 1/4 feet
	Concertina bend	8 inch	2 3/4 feet
	Segmented bend	8 inch	2 feet
	Louvered wall or window vent (#03780400)		12 1/2 feet
	Wall vent kit with flap (#00087184)		5 feet
	Window vent kit with flap (#00087185)		5 feet
	Exhaust connection - left		20 feet
	Exhaust connection - right		33 feet
	Flat duct (#01221330)		59 feet

DO NOT use vinyl ducting with Miele appliances.